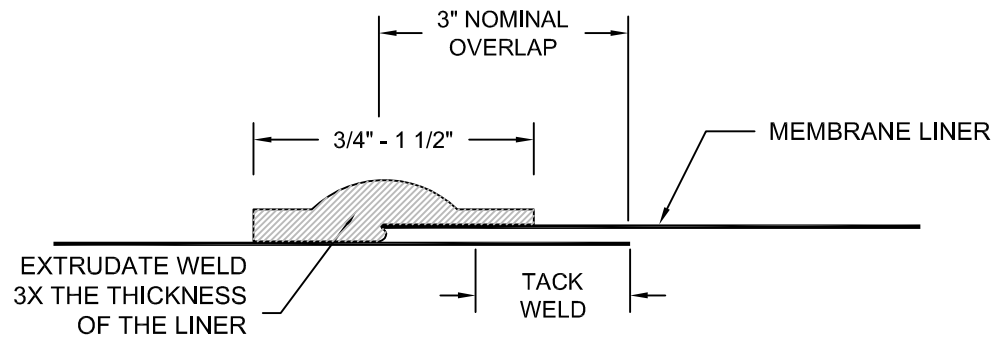


**DOUBLE FUSION WELD
(NTS)**



**EXTRUSION WELD
(NTS)**



PROJECT						
HDPE OR LLDPE						
TITLE						
HDPE & LLDPE FIELD SEAMS						
DATE	DRAWN BY BES	CHECKED BY BES	SCALE	CAD FILE	REV	SHEET 1